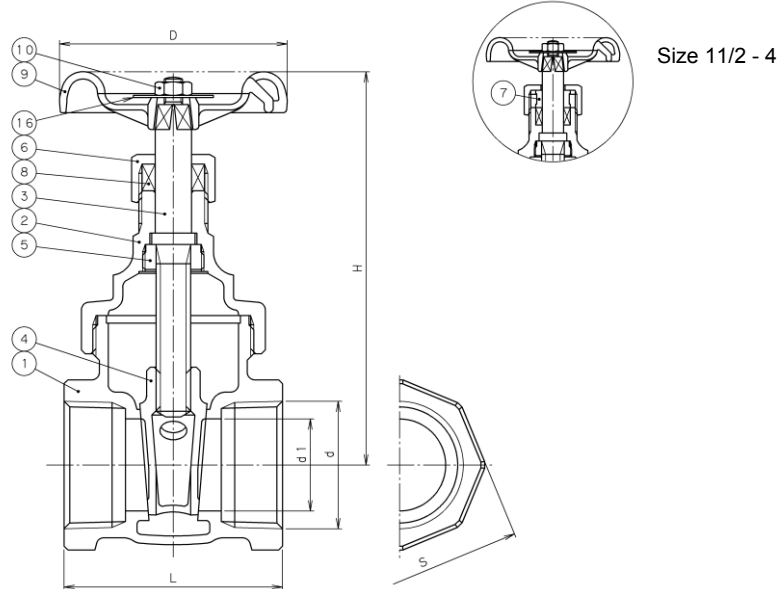


**CLASS 125 CAST BRONZE SCREWED END GATE VALVES**

NON-RISING STEM, SOLID WEDGE DISC



Sizes 1/4 to 2 illustrated here

**Materials**

| No. | Name of parts | ASTM Specifications    |             |                  |
|-----|---------------|------------------------|-------------|------------------|
| 1   | BODY          | CAST BRONZE            | B62-C83600  |                  |
| 2   | BONNET        | CAST BRONZE            | B62-C83600  |                  |
| 3   | STEM          | SPECIAL BRASS *1       |             |                  |
| 4   | DISC          | SPECIAL BRASS *1       |             | SIZES 1/4 to 1/2 |
|     |               | CAST BRONZE            | B62-C83600  | SIZES 3/4 to 4   |
| 5   | LOCK NUT      | BRASS ROD              | B16         |                  |
|     |               | FORGED BRASS           | B124-C37700 | SIZE 4           |
| 6   | PACKING NUT   | FORGED BRASS           | B283-C37700 |                  |
| 7   | GLAND         | BRASS ROD              | B16         | SIZE 1 1/2 - 3   |
|     |               | FORGED BRASS           | B124-C37700 | SIZE 4           |
| 8   | GLAND PACKING | ARAMID FIBERS GRAPHITE |             |                  |
| 9   | HAND WHEEL    | ALUMINUM DIE-CAST      | B85         |                  |
| 10  | WHEEL NUT     | CARBON STEEL *2        | A307-B      |                  |
| 16  | NAME PLATE    | ALUMINUM               |             |                  |

\*1 DEZINCIFICATION RESISTANT BRASS.

\*2 ZINC PLATING.

**Dimensions**

| Mark   | Size | 1/4   | 3/8   | 1/2   | 3/4   | 1    | 1 1/4   | 1 1/2   | 2    | 2 1/2   | 3    | 4    |
|--------|------|-------|-------|-------|-------|------|---------|---------|------|---------|------|------|
| d      |      | Rc1/4 | Rc3/8 | Rc1/2 | Rc3/4 | Rc1  | Rc1 1/4 | Rc1 1/2 | Rc2  | Rc2 1/2 | Rc3  | Rc4  |
| d1     | mm   | 10    | 10    | 13    | 19    | 24   | 31      | 37      | 49   | 63      | 76   | 100  |
| H      | mm   | 75    | 75    | 81    | 90    | 106  | 119     | 135     | 159  | 201     | 223  | 302  |
| L      | mm   | 42    | 42    | 45    | 50    | 57   | 61      | 67      | 74   | 90      | 100  | 140  |
| D      | mm   | 48    | 48    | 48    | 55    | 63   | 70      | 80      | 90   | 110     | 125  | 160  |
| S      | mm   | 24    | 24    | 28    | 34    | 41   | 50      | 57      | 70   | 86      | 100  | 130  |
| Weight | kgs  | 0.26  | 0.25  | 0.30  | 0.40  | 0.60 | 0.82    | 1.10    | 1.73 | 2.73    | 3.73 | 11.2 |

**Working Pressures**

| Working pressures Non-Shock |                 |
|-----------------------------|-----------------|
| Saturated steam pressure    | Water, Oil, Gas |
| 0.86MPa                     | 1.38MPa         |
| 125psi                      | 200psi          |

\*Design and materials are subject to change without notice.